

ELiMENTTM LITHIUM IRON PHOSPHATE BATTERY

ELiMENTTM BATTERY

The ELiMENTTM Lithium Iron Phosphate (LiFePO₄) Battery is the “heart” and power of the EPEQ[®] system. It is designed to fit in compact spaces, such as: tool cabinets, van shelving units, and service body side-packs. They are easily mounted and include quick connect plugs for ease of installation and relocation.



- ELiMENTTM Batteries have a high energy density which offers vast improvement in capacity, weight, and shelf life over AGM and standard lithium-ion batteries.
- ELiMENTTM Batteries are long lasting and provide full amperage output even at 10% remaining battery life.
- The ELiMENTTM Battery can be fully cycled at least 5000 times and has an impressive 5–7-year lifespan.

ELiMENTTM fully charges in as little as 1.5 hours and requires zero maintenance. This combination of long life, fast charge, slow discharge, and maintenance free, means you’ll experience minimal downtime and maximum productivity, saving you time and money.

Each ELiMENTTM Battery comes with its own Battery Management System (BMS) which protects against over current, over/under voltage, and over temperature by monitoring the state of the battery cells.

LiFePO₄ batteries are chemically very stable making them amongst the safest battery technologies available on the market. They are inherently non-combustible and will not overheat. Even if punctured, they will not catch on fire. The ELiMENTTM Batteries are nontoxic and don’t give off dangerous or hazardous fumes making them safe to use and safe for the environment.



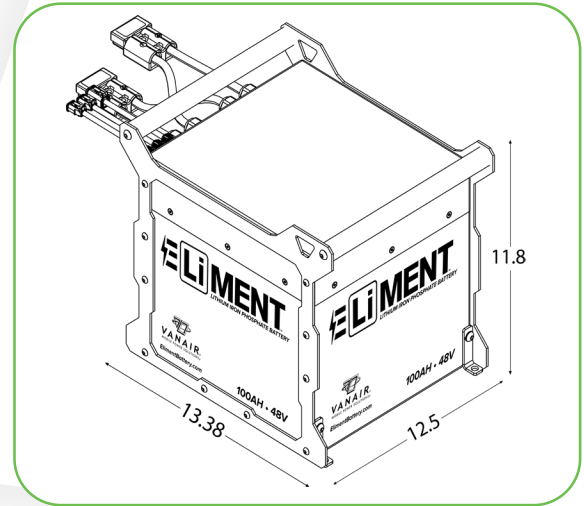
800.526.8817 | EPEQ.com    

ELiMENT™

LITHIUM IRON PHOSPHATE BATTERY

ELiMENT™ BATTERY SPECIFICATIONS

- Capacity: 100 Ah
- Voltage: 48
- Cycles: 5,000
- Material: Lithium Iron Phosphate
- Size: 13.38" L x 12.5" W x 11.8" H with Handles
- Weight: 107 lbs.
- Protections:
 - Over-Current and Short-Circuit
 - Over-Charge and Over-Discharge
 - Over-Temperature and Under-Temperature
- EPEQ® Battery Management System



EPEQ® SMART CONTROLLER

The EPEQ® system is controlled by the EPEQ® Smart Controller which has proprietary software designed to intelligently monitor and control all EPEQ® system components. Each component can communicate to the display allowing the user to make priority decisions to manage the load applied to the battery. The loads allowed to draw on the battery can be adjusted based on factors such as: temperature, heat build-up, duty cycle, assigned function priorities, and power remaining. The EPEQ® Smart Controller features:

- LED Display with Anti-Glare Coating
- IP67 Rated
- Reads and Reports:
 - State of Charge
 - Charge / Discharge Rates and Cycles
 - Cell Voltage Levels
 - Battery Temperature
- Faults and Warnings:
 - Over-Charge and Over-Discharge
 - Over-Temperature and Under-Temperature



CLEAN, QUIET POWER™



VAN AIR
MOBILE POWER SOLUTIONS®

800.526.8817 | EPEQ.com

10896 West 300 North | Michigan City, Indiana 46360 USA



ELiMENT_091123_NML