



START-ALL

JUMP-PACK

166500 joules^{5S} • 12/24V

Smart Lithium-Ion Jump Starter
and Power Bank

THANK YOU

Thank you for your purchase of the Vanair® Start•All Jump•Pack® 12/24V. We thank you for doing business with us and look forward to working with you again.

This publication contains the latest information available at the time of preparation. Every effort has been made to ensure accuracy. Vanair Manufacturing, Inc. reserves the right to make design change modifications or improvements without prior notification.

Making unauthorized modifications to the system components WILL VOID THE WARRANTY! Always contact Vanair before beginning any changes to the Start•All Jump•Pack®

What's inside the case

The Start•All Jump•Pack® is equipped with everything you need to safely operate and charge your unit at work, home and on the road. This unit is designed to jump-start a vehicle with a 12V/24V DC electrical system, it includes connectors required to charge most phones, laptops, electronic accessories and digital cameras.

Included:

- **(1) 2 Amp 18V DC 100-240V AC wall charger**
- **(1) 12V DC port charger to charge your unit**
- **(1) Safety strap is also included to help protect the unit and the operator**
- **Carrying Case**
- **Operation Manual**
- **High Quality 3-way USB Adapter Connector (Lighting, USB-C, and Micro USB)**

The Start•All Jump•Pack® is a professional piece of equipment and should always be secured to your vehicle when in use. The Start•All Jump•Pack® carrying case helps keep all your accessories in one place and protect your investment when not in use.

SAFETY INFORMATION

DANGER



Start•All Jump•Pack® 12/24 Volt series are intended for use on vehicles with either 12 or 24V DC battery systems only. Do not connect the jumper cables to any vehicle with more than a 24V DC system. Connecting to 36V, 48V or higher voltage systems could result in fire and/or serious injury or death.

DO NOT leave the Start•All Jump•Pack® unattended while charging the Start•All unit with its supplied AC wall charger.

DO NOT charge the Start•All® unit on any combustible material such as wood, paper, carpet, etc.

DO NOT attempt to charge the Start•All® unit with any other third-party AC wall charger. Use only the supplied 100-240V AC 18V DC wall charger. Failure to do so may cause an overheat condition which may lead to possible fire and property damage including injury and death.

DO NOT attempt to charge the Start•All® unit with any other third-party 12/24V DC port charger. Use only the supplied 18V DC 2000mA Port Charger. Failure to do so may cause an overheat condition which may lead to possible fire and property damage including injury and death.

DO NOT attempt to start a vehicle while charging the Start•All® unit.

DO NOT connect the jumper cables to any vehicles with more than a 24V DC system. Connecting to a higher voltage could result in fire, and/or serious injury or death.

DO NOT operate the Start•All® unit if it becomes wet. Note: If the unit is already operating and becomes wet, disconnect it from the vehicle battery and discontinue use immediately.

DO NOT leave the Start•All Jump•Pack® unattended while connected to the vehicle battery or battery posts. Note: The Start•All Jump•Pack® is not a trickle charger type device and should not be used as such.

DO NOT use a damaged product, including, but not limited to, cracks to the casing, cables, or power cords, clamps or ports.

DO NOT use the Start•All® unit if it becomes excessively hot, emits an odor, is deformed, cut, is experiencing or demonstrating an abnormal occurrence. Discontinue use immediately and contact Vanair®.

NOTE: Unit should be moved IMMEDIATELY to a safe location away from ALL potential flammable and combustible materials.

DO NOT crank the vehicle for more than 15 seconds when attempting to start utilizing the Start•All® unit. Wait 90 seconds between

cranking attempts. Exceeding 15 seconds on a crank attempt or failing to wait 90 seconds may cause damage to the vehicle starter and/or the Start•All Jump•Pack®.

DO NOT attempt more than 5 consecutive start attempts within a 15-minute period. Attempting more than the recommended cranks can lead to an overheat condition and may lead to possible fire and property damage as well as injury and death. Note: If a vehicle does not start after 3 attempts it typically indicates another issue with the vehicle.

DO NOT attempt to connect a Start•All Jump•Pack® to anything other than a 12V or 24V DC battery terminal or dedicated jump lug. Failure to do so could cause permanent damage to the vehicle or jump starter.

DO NOT attempt to use the Start•All Jump•Pack® in any fashion other than indicated within this manual. Failure to do so could cause permanent damage, disfigurement and or death. Always wear proper Personal Protection Equipment (PPE) when using this device.

DO NOT attempt to use the Start•All Jump•Pack® in any fashion if you use a personal medical device such as a Pacemaker.

DO NOT attempt to alter, modify, or repair any part of the product. Disassembling the product may cause injury, death, or damage to property and voids warranty. Contact Vanair® in these instances.

Start•All Jump•Pack® Charging. Do not leave the Start•All Jump•Pack® unattended while charging the unit. Do not charge the unit on any material that is flammable, such as wood, carpet, etc. Do not use the unit to start a vehicle while charging. Charge only in a well-ventilated area.



Fire. The product is an electrical device that emits heat and is capable of causing burns. Do not cover the product. Do not smoke or use any source of electrical spark or fire when operating the product. Keep product away from combustible materials. **In an unlikely event of a fire, use sand or Class ABC or BC fire extinguisher.**



Electrical Shock. The product is an electrical device that can shock and cause serious injury. Do not cut power cords. Do not submerge in water or get wet.



Explosion. Unmonitored, incompatible, or damaged batteries can explode if used with the product. Do not leave the product unattended while in use. Do not attempt to jump start a damaged or frozen battery. Use product only with batteries of recommended voltage. Operate product in well-ventilated areas.



Personal Precaution. Only use the product as intended. Someone should be within the range of your voice or close enough to come to your aid in case of an emergency. Have a supply of clean water and soap nearby in the case of battery acid contamination. Wear complete eye protection and protective clothing while working near a battery.

Always wash hands after handling batteries and related materials. Do not handle or wear any metal objects when working with batteries, including; tools, watches, or jewelry. If metal is dropped onto the battery, it may spark or create a short circuit resulting in electrical shock, fire, or explosion, which may result in injury, death, or property damage.



Location. Prevent battery acid from coming in contact with the product. Do not operate the product in a closed-in area or an area with restricted ventilation.

Do not set a battery on top of the product. Position cable leads to avoid accidental damage by moving vehicle parts (including hoods and doors), moving engine parts (including fan blades, belts, and pulleys), or what could become a hazard that may cause injury or death.



Explosive Gases. Working in the vicinity of a lead-acid battery is dangerous. Batteries generate explosive gases during normal battery operation. To reduce the risk of

battery explosion, follow all safety information instructions and those published by the battery manufacturer and manufacturer of any equipment intended to be used in the vicinity of the battery. Review cautionary markings on these products.

High-Consequence Activities. This product is not intended for use where the failure of the product could lead to injury, death, or severe environmental damage.

Medical Conditions. If you have any medical conditions that you believe could be affected by the product, including but not limited to; seizures, blackouts, eye strain, or headaches, consult your physician prior to the use of the product. The use of the integrated high powered flashlight contains a light sensitivity hazard. Use of the flashing LED flashlight mode may cause seizures in persons with photosensitive epilepsy, which may result in serious injury or death.



Medical Devices. Product may emit electromagnetic fields. The product contains magnetic components that may interfere with pacemakers, defibrillators, or other medical devices. Consult with your physician prior to use if you have any medical device, including pacemakers. If you suspect the product is interfering with a medical device, stop using the product immediately, and consult your physician.

Compatibility. The product is compatible with 12V and 24V DC lead-acid batteries. Do not attempt to use the product with any other type of

batteries. Jump starting other battery chemistries may result in injury, death, or property damage. Contact the battery manufacturer prior to attempting to jump start the battery. Do not jump start a battery if you are unsure of the battery's specific chemistry or voltage.

Choking Hazard. Accessories may present a choking hazard to children. Do not leave children unattended with the product or any accessory. The product is not a toy.



Explosive Atmospheres. Obey all signs and instructions. Do not operate the product in any area with a potentially explosive atmosphere, including fueling areas or areas which contain chemicals or particles such as grain, dust, or metal powders.



Do not leave the Start•All Jump•Pack® unattended while connected to a battery.

Warranty for the Start•All Jump•Pack® is one-year from date of retail purchase. The Start•All Jump•Pack® MUST be registered online at <https://vanair.com/support/registration.html> and customer must be able to provide a dated proof of purchase to be eligible for warranty. Contact the manufacturer directly for instructions at 800-526-8817.

WARNING

Read the entire manual before attempting to use this product.

Operating Temperature. This product is designed to be stored in temperatures between 40° F and 75° F (4° C and 24°C). The unit can be operated in temperatures between -4° F and 140° F (-20° C and 60° C). Do not operate outside of this temperature range.

Battery Charging. Do not leave the Start•All Jump•Pack® unattended while charging. Do not charge the unit on any material that is flammable, such as wood, carpet, etc. Do not use the unit to start a vehicle while charging. Charge the Start•All Jump•Pack® only with Vanair® supplied charging cables. Do not use third party charging cables. Do not use the Start•All Jump•Pack® charging cables with any other third-party devices. The use of a 3rd party charging cord may cause overheat condition and may lead to possible fire and property damage. The Start•All Jump•Pack® is supplied with a 2 Amp 18V DC 100-240V AC wall charger. Make sure the charging cable is securely plugged into the Start•All Jump•Pack® charging port before plugging it into a 12V DC accessory port or AC outlet.

Handling. Handle product with care. The product can become damaged if impacted. Do not use a damaged product, including, but not limited to, cracks to the casing or damaged cables. Do not use the product with a damaged power cord. Humidity and liquids may damage the product. Do not handle product or any electrical components near any liquid. Store and operate the product in dry locations. Do not operate the product if it becomes wet. If the product is already operating and becomes wet, disconnect it from the battery and discontinue use immediately. Do not disconnect the product by pulling on the cables.

Modifications. Do not attempt to alter, modify, or repair any part of the product. Disassembling product may cause injury, death, or damage to property. If the product becomes damaged, malfunctions, or comes in contact with any liquid, discontinue use, and contact Vanair®. Any modifications to the product will void your warranty.



Eye Injury. Wear eye protection when operating the product. Batteries can explode and cause flying debris. Battery acid can cause eye and skin irritation. In the case of contamination of eyes or skin, flush the affected area with running clean water and contact poison control immediately.

Proposition 65. Battery posts, terminals, and related accessories contain chemicals, including lead. These materials are known to the State of California to cause cancer and birth defects, and other reproductive harm.

Minors. If the product is intended by “Purchaser” to be used by a minor, the purchasing adult agrees to provide detailed instructions and warnings to any minor prior to use. Failure to do so is the sole responsibility of the “Purchaser,” who agrees to indemnify Vanair® for any unintended use or misuse by a minor.

Accessories. This product is only approved for use with Vanair® accessories. Vanair® is not responsible for user safety or damage when using accessories not approved by Vanair®.

Storage. Do not use or store your product in areas with high concentrations of dust or airborne materials. Store your product on flat; secure surfaces so it is not prone to falling. Store your product in a dry location. The optimal storage temperature is 40° F to 75° F (4° C to 24° C). The Start•All Jump•Pack® must be stored at a 40% or higher state-of-charge on the display to maintain capacity and batter capability. Failure to do so may result in product damage and void the warranty.

The Battery. The built-in lithium-ion battery in the product should be replaced only by Vanair® and must be recycled or disposed of separately from household waste. Do not attempt to replace the battery yourself and do not handle a damaged or leaking lithium-ion battery. Never dispose of battery in household trash. Disposal of batteries in household trash is unlawful under state and federal environmental laws and regulations. Always take used batteries to

your local battery recycling center or call **1-800-8-BATTERY**. If the product's battery is excessively hot, emitting an odor, deformed, cut, or is experiencing or demonstrating an abnormal occurrence, immediately stop all use and contact Vanair®.

Light. Staring directly into the light beam or shine of the flashlight may result in permanent eye injury. The product is equipped with a high output LED array that emits a powerful beam at the highest setting.

Cleaning. Power off the product before attempting any maintenance or cleaning. Clean and dry product immediately if it comes in contact with liquid or any type of contaminant. Use a soft, lint-free (microfiber) cloth. Avoid getting moisture in openings.

Radio Frequency Interference (RFI). The product is designed, tested, and manufactured to comply with regulations governing radio frequency emissions. Such emissions from the product can negatively affect the operation of other electronic equipment, causing them to malfunction.

Important Notes Regarding RFI

This equipment has been tested and found to comply with the limits for a Class B digital device, pursuant to part 15 of the FCC Rules. These limits are designed to provide reasonable protection against harmful interference in a residential installation.

This equipment generates, uses, and can radiate radio frequency energy and, if not installed and used in accordance with the instructions, may cause harmful interference to radio communications. However, there is no guarantee that interference will not occur in a particular installation. If this equipment does cause harmful interference to radio or television reception, which can be determined by turning the equipment off and on, the user is encouraged to try to correct the interference by one or more of the following measures:

- Reorient or relocate the receiving antenna.
- Increase the separation between the equipment and receiver.
- Connect the equipment into an outlet on a circuit different from that to which the receiver is connected.
- Consult the dealer or an experienced radio/TV technician for help.

Most vehicles will immediately start. Some vehicles may require the Start•All Jump•Pack® to be connected for up to 30 seconds before starting. If the vehicle does not start right away, wait 90 seconds, and try again. Do not crank for more than 15 seconds and do not attempt more than five (5) consecutive jump starts within a fifteen (15) minute period. Allow the unit to rest for fifteen (15) minutes before attempting to jump start the vehicle again. Attempting more than the recommended cranks can lead to overheat condition and may lead to possible fire and property damage.



Do not crank dead vehicle for more than 15 seconds.

Wait 90 seconds in between cranking attempts.

Failure to do so risks damage to the starter, related components and/or the Start•All Jump•Pack®. Repeated attempts may lead to possible fire and property damage. NOTE: It is possible for an E5 error code to be displayed. Please refer to the Error code section of this manual for more information on error codes.

IMPORTANT NOTES

- Fully charge the unit immediately upon opening
- Charge unit after each use
- Charge at least once every 6 months
- **THE START•ALL JUMP•PACK® MUST BE STORED ABOVE 40% BATTERY CHARGE LEVEL (Failure to do so may cause damage and void warranty.)**

Please read the entire instruction manual before operating the Start•All Jump•Pack®. Save these instructions. Review all cautionary markings on this product and in this manual. There are variables such as extreme outdoor temperatures and truck mechanical issues (bad starter, no fuel, or engine problems) that may limit the Start•All Jump•Pack®'s ability to start an engine. The Start•All Jump•Pack® is designed to instantaneously start a truck battery in a low voltage condition of 5V DC and higher.

The Start•All Jump•Pack® is best used as an instantaneous vehicle starting device. Allowing the Jump pack to sit for long durations of time connected to a vehicles under charged battery will greatly reduce the effectiveness and is not best practice.

Your Start•All Jump•Pack® is fitted with built-in safety protections. These safety protections monitor and control the unit. To ensure product longevity, activation is limited to 45-second intervals. If you experience the unit timing out during a jump start, simply cycle the main On/Off rocker switch to reactivate the jump start function.

What can it do?

The Start•All Jump•Pack® is engineered to jump start the largest 12V DC or 24V DC diesel engines on the road, up to 16 liter. This device can also be used on smaller 12V DC gasoline or diesel vehicles. Powering your electronics is a breeze with the large capacity 296 Wh lithium-ion battery. You can charge all your devices through the USB, 5.5mm ports or the DC Aux ports. Most mobile phones, smart phones, portable gaming devices, and MP3/MP4 players can be charged with the included accessories. You don't have to worry about dead batteries again when you have a Start•All Jump•Pack®.

Vehicle jump starting

The Start•All Jump•Pack® jump starts diesel and gasoline powered engines up to 16.0 liters. Whether driving your semi, your family car,

or even operating a bulldozer, the Start•All Jump•Pack® has you covered.

Electronics charging

Turn the MAIN ON/OFF knob to the “ON” position. Press the corresponding button for the auxiliary port wanting to be used for charging electronics like smart phone through the USB port, simply insert your OEM cord that came with your device, or utilize the 3-in-1 USB cable provided.

Power when you need it

The Start•All Jump•Pack® can charge a Smart Watch with a 205 mAh battery 390 times, a music player with a 525 mAh battery 151 times, a camera with a 1650 mAh battery 47 times, a wireless Bluetooth speaker with a 2600 mAh battery 30 times, a cell phone with a 3000 mAh battery 21 times, an e-book reader with a 4750 mAh battery 19 times, and a tablet with a 10307 mAh battery 7 times.

Safety strap

The Start•All Jump•Pack® is a professional grade jump starter. The unit should be secured to the vehicle with the supplied safety strap before use. Also follow the manufacturer’s safety precautions when working with your vehicle’s batteries.

Charging accessories

The Start•All Jump•Pack® is equipped with a 2 Amp 18V DC 100-240V AC Power Wall Charger and a 12V DC port charger for optimal charging convenience at home, work or on the road. When your Start•All Jump•Pack® is charged, you will not only be secure in your ability to jump start your vehicle, but you can put its 296 Watt-hours to work charging and powering many of your electronic accessories, including a CPAP machine.

Powering options

The Start•All Jump•Pack® is equipped with two USB ports and a high quality braided 3-in-1 USB to lightning, USB-C, or Micro USB connections; offering flexibility for most phones or tablets.

Additional standard USB powered accessories can also be used (not included).



Technical Specifications

Battery Type: Lithium-Ion Cobalt

Capacity: 296 Watt-Hours (296,000 mWh)

Peak Current: 10,000A (<200ms)

Estimated Lifetime Jump Starts: Up to 5000 Starts

Operating Temperature: -4°F to +140°F (-20°C to +60°C)

Storage Temperature: 40° F to 75° F (4° C to 24° C)

Input Charging Port: 5.5mm - 18VDC 2A

Clamp Output Voltage: 12-16V DC and 24/32V DC

Output Ports:

- (4) USB QC3.0, 3.6 - 12V DC, 2.1A Max.
- (2) 5.5mm Port, 12V DC Aux Port - 4A
- (2) 12VDC 5.5mm Ports 4A Max. Combined
- (1) DC Aux Port, 12V DC 4A Max.

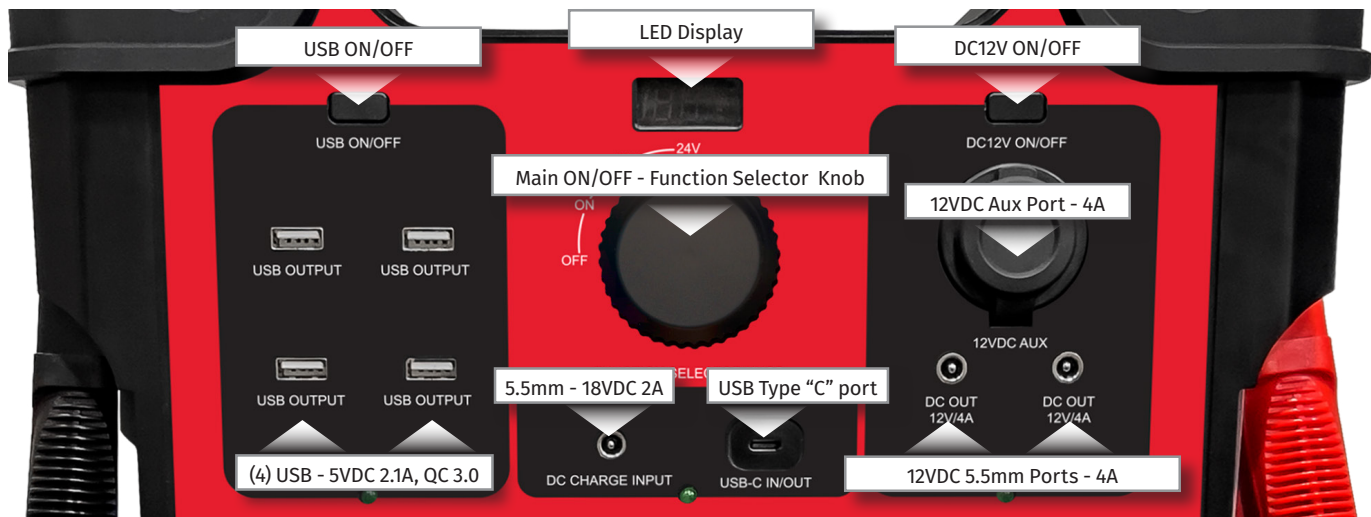
USB Type-C: Input 30 Watts; Output 30 Watts (QC3.0 Capable)

Protect•All® Safeties: Short Circuit, Reverse Polarity, Over Charge and Over Temperature Protections

Recharge Rate: Included - 120-240V AC Wall Charger to 18V 2A. (Approximately 12 Hours for Full Charge)

Unit Dimensions: 16.50" (H) X 14.00" (W) X 5.25" (D)

Unit Weight: 18.5 lbs.



CONTROL PANEL

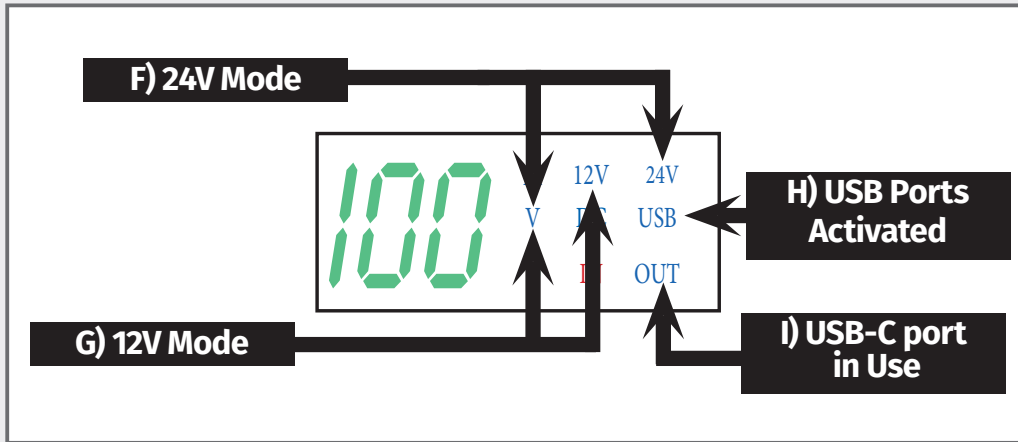
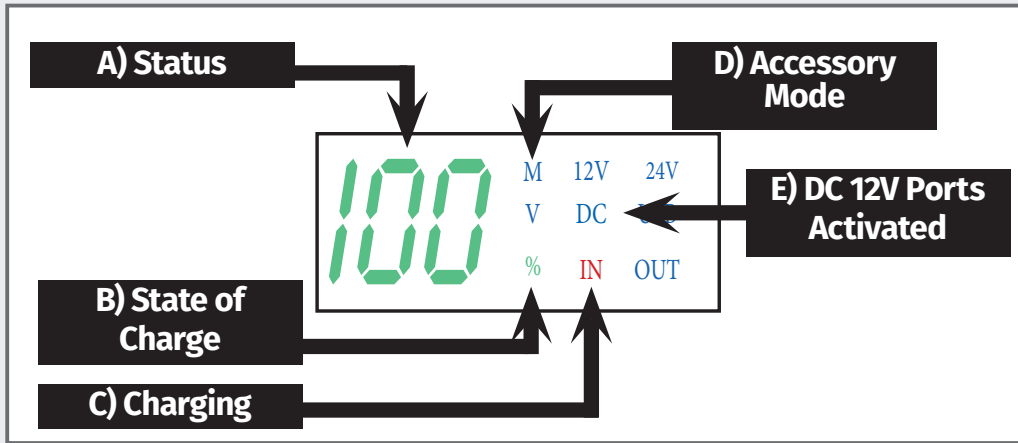
- Main ON/OFF - Function Selector Knob. Turn the knob to ON to allow use of any of the USB or 12V DC ports. Turn it to 12V for 12 volt engine starting and 24V for 24 volt engine starting.
- 12VDC Aux port and 12V DC 5.5mm ports. Turn the Main ON/OFF knob to ON. Press the DC12V ON/OFF button. The unit will beep and DC will show on the LED Display.
- LED Display - This will show what mode the Start-All Jump Pack® is in. It will also show what additional functions are

in use. If there is a connection error, a red E followed by a number will be shown - refer to troubleshooting section for corrective actions.

- USB 5V DC 2.1A ports. Turn the Main ON/OFF knob to ON. Press the USB ON/OFF button. The unit will beep and USB will show on the LED display.
- 5.5mm - 18V 2A and USB Type “C” ports. When a charger is plugged in, it disables use of the 12V and 24V modes, the flashlight, and all accessory ports. The USB-C port can be used to power or charge accessories when the Main ON/OFF knob is turned to ON.

BACK OF UNIT





LED (Light Emitting Diode) **DISPLAY**

- A)** Displays the Start•All Jump•Pack®'s percentage charge or error codes.
- B)** The “%” indicates that the number in the Status is the percentage of power remaining in the Start-All Jump Pack®.
- C)** The “IN” indicator flashes whenever the unit is being charged by the USB-C port charger, 18V DC 120-240V AC wall charger, or the 12V DC Aux. charger. It is solid-on when it is fully charged.
- D)** The “M” indicates it is in the ON mode and accessory ports can be used.
- E)** The “DC” indicates that the 12V DC Aux and 5.5mm ports are activated.
- F)** The “V” and “24V” indicates that it is in 24V mode.
- G)** The “V” and “12V” indicates that it is in 12V mode.
- H)** The “USB” indicates that the USB ports are activated.
- I)** The “OUT” indicates that the USB-C port is in use to power an external device.

ERROR CODE INDICATORS



Low Battery Voltage

Low Battery Voltage protection Activated. If the Start•All Jump•Pack® is below 35% when turned on and connected to a vehicle, fully recharge the unit then try again. If E0 is displayed while charging the Start•All Jump•Pack®, the battery is below a safe voltage to charge. Disconnect the charger and contact customer care 844-VAN-SERV.



Reverse Polarity

Reverse polarity protection activated. Turn off the Start•All Jump•Pack®. Check the clamp connections. Make sure the red clamp goes to positive and the black clamp goes to negative. Then try again.



Timed Out

The Start•All Jump•Pack® will time out after 45 seconds when connected to a vehicle and is activated. Turn off the Start•All Jump•Pack® and then back on.



High Temperature

High temperature protection activated. Turn off the Start•All Jump•Pack® and wait for it to cool down before using again.



Low Temperature

The Start•All Jump•Pack® is below optimal operating temperature. Performance may be decreased. If unable to start vehicle, warm up the Start•All Jump•Pack® and try again.



High Current

High current protection activated. The vehicle's power requirements may exceed safe operating threshold of the Start•All Jump•Pack® or three high current vehicle start attempts detected within a five minute span. Wait 15 minutes before using again.



Low Current

Low current protection activated. Turn off the Start•All Jump•Pack®. Check the clamp connection on the battery, make sure it is clean and free of paint or corrosion, then try again. If this error persists, turn on the vehicles headlights or blower fan then try again.



Short Circuit

Short circuit protection activated. Turn off the Start•All Jump•Pack®, check the clamp connections to make sure that there is not a short circuit, then try again.



Unit is Not Activating

Contact customer care 844-VAN-SERV.



High Battery Voltage

The battery is above normal maximum voltage. Do not attempt to use. Contact customer care 844-VAN-SERV.



Target Vehicle Voltage Out of Range

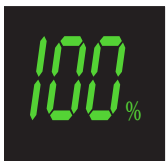
The voltage of the vehicle battery is higher or lower than the acceptable range for the mode selected. Verify the vehicle system voltage required.



Battery Cell Voltage Imbalance

The internal batteries are imbalanced and not correctable in the field. Contact customer care 844-VAN-SERV.

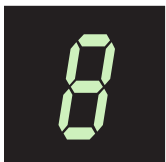
LED INDICATORS



Normal Screen

Normal ON/OFF screen.

Displays the battery charge percentage. Zero to 64% will display in red. 65% to 100% will display in green.



Start•All Jump•Pack®

Activated and Connected

Indicates the vehicle is ready to be jump started.



Search Mode

The unit is searching for a battery and current in order to activate the jump starting.



Red flashing “12”

The display will show a red flashing 12 when the unit is put into 12V mode for several seconds, then it will go to Search Mode.



Red flashing “24”

The display will show a red flashing 24 when the unit is put into 24V mode for several seconds, then it will go to Search Mode.



Nothing Displayed in Window?

Sleep mode, press 12V ON/OFF button to wake up then cycle the main ON/OFF knob.

COMPLETE JUMP STARTING GUIDE

1. Personal safety & battery preparation

- A. Please use safety glasses when jump starting any vehicle. Remove personal metal items such as watches, rings and bracelets when working with a lead-acid battery. It may cause personal injury.
- B. Please refer to your vehicle's owners manual for proper jump start connection location.
- C. Identify the positive (RED) and negative (BLACK) terminals before connecting the clamps. Make sure battery terminals are clean and free of debris for a safe connection.

2. Start•All Jump•Pack® preparation

- A. Secure the Start•All Jump•Pack® by inserting the safety strap through the handle and securely attaching it to the vehicle using the included carabiner clip.
- B. Place the Start•All Jump•Pack® on a flat surface and turn the MAIN ON/OFF to the "ON" position, ensuring that the Start•All Jump•Pack® has at least 65% charge for heavy vehicles, 85% if it is cold. For light vehicles make sure the unit has at least 50% charge, 65% if it is cold.

3. Make the Connection

- A. Disconnect the Red clamp and the Black clamp from the Start•All Jump•Pack® docking station.

Note: LED should be flashing Red and Green "8s"
(search for battery mode.)

- B. If your vehicle is equipped with jump posts, connect the positive Red clamp to the positive jump post. Connect the negative Black clamp to the vehicle ground. Otherwise, connections will be made on the battery.
- C. If connections are made on the battery, connect the positive Red clamps to the positive(+) Red terminal on the battery and connect the negative(-) Black clamps to the negative Black terminal on the battery. Once the battery is detected and is connected correctly, the LED indicator will show a solid Green "8".
Once the "8" is a solid Green, you must attempt to start the vehicle within 45 seconds or the Start•All Jump•Pack® will time out. If time out occurs, you must turn off the unit and repeat the process.

4. Start the Vehicle

- A. Ensure a proper connection. If properly connected, the unit will display a Green "8" on the LED. If the LED displays a Red "E" followed by a number then there is an error that needs to be addressed. Please see the "Troubleshooting Guide" and the "LED Indicators" Guide.
- B. Turn the ignition key to the "ON" position and start the engine.

C. Do not crank dead vehicle for more than 15 seconds. Wait 90 seconds in between cranking attempts. Failure to do so will cause damage to the starter and/or the Start•All Jump•Pack®. NOTE: It is possible for an E5 error code to be displayed. Please refer to the Error code section of this manual for more information on error codes.

D. Once started, turn off the unit and disconnect the clamps from the battery and reattach the clamps to the docking station. Turn off the unit.

TROUBLESHOOTING

1. Start•All Jump•Pack® CHARGED?

For Heavy vehicles make sure the unit has at least 65% charge, 85% if it is cold. For light vehicles make sure the unit has at least 50% charge, 65% if it is cold. If the Start-All Jump Pack is below 25%, it will cause an E0 error to be displayed. Please refer to the Error code section of this manual for more information on error code E0.

2. Start•All Jump•Pack® ON/OFF

Ensure that the MAIN ON/OFF power switch is in the "ON" position.

3. ACTIVATION LED INDICATOR "8"s?

Is the LED blinking red to green or is it a solid red or green? Solid green "8" is a correct connection and a solid red "E" followed by a number is an error. No current will flow to the battery when there is an error, except for "E4", low temperature.

4. ALTERNATING RED & GREEN "8"s

The unit will flash red and green 8's while it is searching

for a battery to connect to. If the amps are too low or the connection is poor, the unit may not connect. Make sure that the connection is clean and put the ignition switch into the Accessory (ACC) position with the headlights or radio turned on.

5. CABLE ALARM?

Is there a beeping indicator alarm during connection? Red "E" followed by a number and beeping is an error code. Immediately disconnect the clamps, then refer to the LED indicator guide.

6. KEY POSITION?

Put the ignition switch into the Accessory (ACC) position. This will help activate the unit.

7. CAN'T GET THE Start•All Jump•Pack® TO CONNECT?

If the Start•All Jump•Pack® does not show a green "8" when connected to a dead vehicle:

- Make sure to turn on the Start•All Jump•Pack® before connecting to the dead vehicle
- Verify the clamps are connected properly
- Turn on lights or the radio
- Verify that the dead vehicle is a 12V DC or 24V DC system
- Verify that the Start•All Jump•Pack® is adequately charged

If those steps do not resolve the problem, you may manually activate the system. This activation disables some safety features.

MANUAL ACTIVATION FOR LOW VOLTAGE BATTERIES

The Start•All Jump•Pack® is designed to jump-start 12V DC or 24V DC lead-acid battery systems at very low voltage. If your battery is too low or unable to take a charge, the unit will display alternating red and green 8s. This is an indication that the Start•All Jump•Pack® cannot detect a battery. If you need to jump-start a battery in this condition, turn on the headlights, blower, and/or another accessory. If the Start•All Jump•Pack® still does not activate, there is a Manual Activation feature, which allows you to force “ON” the jump start function.

CAUTION! USE THE MANUAL ACTIVATION MODE WITH EXTREME CARE THIS MODE IS FOR 12VDC OR 24VDC LEAD-ACID BATTERIES ONLY BOTH THE SPARK PROOF AND REVERSE POLARITY PROTECTION FEATURES ARE DISABLED. PAY VERY CLOSE ATTENTION TO THE POLARITY OF THE BATTERY BEFORE USING THIS MODE. DO NOT ALLOW THE POSITIVE AND NEGATIVE BATTERY CLAMPS TO TOUCH OR CONNECT AS THE PRODUCT WILL GENERATE SPARKS. THIS MODE USES A VERY HIGH CURRENT (UP TO 10,000 AMPS) THAT CAN CAUSE SPARKS AND HIGH HEAT IF NOT USED PROPERLY. IF YOU ARE UNSURE ABOUT USING THIS MODE, DO NOT ATTEMPT AND SEEK PROFESSIONAL HELP.

Before using the Manual Activation feature, make sure the battery clamps are connected to the correct polarity battery terminals. To use the Manual Activation feature, press and hold the “12V ON/OFF” button for three (3) seconds. A solid Green 8 will indicate you have successfully entered Manual Activation mode and are ready to jump-start your vehicle.

CAUTION! POWER THE Start•All Jump•Pack® “OFF” BEFORE DISCONNECTING THE BATTERY CLAMPS. THIS WILL ENSURE YOUR SAFETY. REMEMBER BOTH THE SPARK PROOF, AND REVERSE POLARITY PROTECTION FEATURES ARE DISABLED.

8. AUTOMATIC TRANSMISSION?

For automatic transmissions only, make sure the truck is in the neutral/park position.

9. MANUAL DISCONNECT SWITCH

(Truck option) Turn the manual disconnect switch “ON”. Location of disconnect switch varies by truck manufacturer.

10. CLEAN TERMINALS?

Make sure that the terminals are free of plastic caps, paint, rust, dirt, or grease that can hinder the connection.

11. JUMP START PORT?

Does your truck have a jump start port connection? If so, use the starting port before attempting to connect directly to the batteries.

12. SHORT BATTERY?

If the battery is sulfated, it will be shorted and will need to be replaced. Sulfated batteries cannot be charged or jump started.

13. DEAD?

If the lead acid battery is completely dead; it will show voltage below 5V DC. In this situation the device will not activate and the battery must be replaced.

Warranty Statement

TO BE ELIGIBLE FOR THE LIMITED MANUFACTURER'S WARRANTY, THE CUSTOMER MUST REGISTER THE PRODUCT ONLINE AT <https://vanair.com/support/registration.html> AND RETAIN PROOF OF PURCHASE RECEIPT. This Limited Warranty is made to the original purchaser and does NOT extend to any other person or entity."



REGISTER YOUR PRODUCT HERE

All returns must receive a Return Material Authorization (RMA) number from the factory and be returned directly postage or freight prepaid. See RMA for instructions regarding the shipping of products containing Lithium Batteries. **DO NOT SHIP LITHIUM BATTERIES VIA AIR FREIGHT.**

Start•All Jump•Packs® are warranted from the date of purchase at retail against failure due to defective material and/or workmanship for a period of one (1) year.

This warranty does not cover any product that has been used for a purpose other than for which it is intended or used in a manner inconsistent with any instruction regarding its use. This warranty is void if the unit is repaired, modified by anyone other than the Manufacturer, or if this unit has been resold through an unauthorized retailer. In the event of a warranty claim covered by this Limited Warranty, the exclusive remedies shall be, at Vanair's sole discretion, to repair or replace the unit.

Vanair does not provide any warranty for any accessories used with this product that are not manufactured by Vanair Manufacturing and approved for use with this product. Vanair will make final determination of defects. No agent, employee, or representative of Vanair has any authority to bind to any affirmation, representation or warranty concerning Vanair products, except as stated herein.

TO THE GREAT EXTENT PERMITTED BY APPLICABLE LAW, THE REMEDIES PROVIDED HEREIN ARE THE SOLE AND EXCLUSIVE REMEDIES APPLICABLE TO THE VANAIR EQUIPMENT. IN NO EVENT SHALL VANAIR BECOME LIABLE FOR DIRECT, INDIRECT, SPECIAL, PUNITIVE, INCIDENTAL OR CONSEQUENTIAL DAMAGES (INCLUDING LOSS OF PROFIT OR LOST BUSINESS OPPORTUNITY), WHETHER BASED ON CONTRACT, TORT OR ANY OTHER LEGAL THEORY. IN NO EVENT SHALL VANAIR BECOME OBLIGATED TO PAY MORE ON ANY WARRANTY CLAIM THAN THE PURCHASE PRICE ACTUALLY PAID BY THE ORIGINAL RETAIL PURCHASER.

THIS LIMITED WARRANTY IS MADE IN LIEU OF ALL OTHER WARRANTIES, EXPRESS OR IMPLIED, INCLUDING THE WARRANTIES OF MERCHANTABILITY AND/OR FITNESS FOR A PARTICULAR PURPOSE, OR ANY OTHER WARRANTY OR GUARANTEE ARISING BY OPERATION OF LAW. ANY WARRANTY NOT EXPRESSLY PROVIDED HEREIN, IMPLIED WARRANTY, GUARANTEE AND ANY REPRESENTATION REGARDING THE PERFORMANCE OF THE EQUIPMENT, AND ANY REMEDY FOR BREACH OF CONTRACT, IN TORT, OR ANY OTHER LEGAL THEORY WHICH, BUT FOR THIS PROVISION, MIGHT ARISE BY IMPLICATION, OPERATION OF LAW, CUSTOM OF TRADE, OR COURSE OF DEALING ARE EXCLUDED AND DISCLAIMED BY VANAIR.

ALL WARRANTY OR RETURNS MUST BE PRE-AUTHORIZED PRIOR TO PERFORMING ANY WARRANTY WORK.



We Start Engines®



⚠ WARNING! Pursuant to California Proposition 65, this product contains chemicals known to the State of California to cause cancer and birth defects or other reproductive harm. Wash hands after handling. www.p65warnings.ca.gov.

Date of Publication: 09/11/2024
090194-OP_r5 091124 RLC



Scan code for instant access to product details



REV042022_28346A_rev0_IP 12/24

844-VAN-SERV | vanair.com



Vanair's There